

LANCASTER

CUSTOM CRAFTED UPHOLSTERY



Three Piece Sectional
168W



Two Piece Sectional
144W

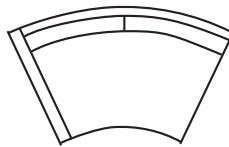
CARMEL CURVED SECTIONALS 8690

H31/33 AH24 SD24 SH19

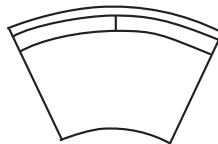
Base Depth 40" • Curved Unit Overall Depth 44"

Carmel Curved Sectional Components

84"W LAF Open End
46"W at Front Corners



80"W Armless
42"W at Front Corners

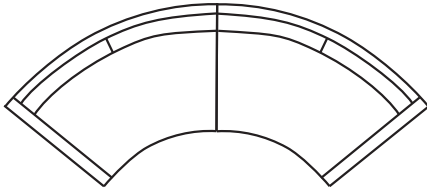


**Curved units cannot be combined with straight
back standard sectional components.**

Carmel includes blade style oak or maple legs • Available slipcovered
Toss Pillows Sold Separately • Call for Pricing and Yardage Estimates •

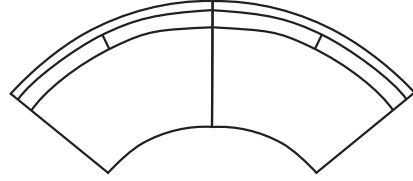
CARMEL CURVED SECTIONALS

LAF & RAF 1-Arm 84" Units



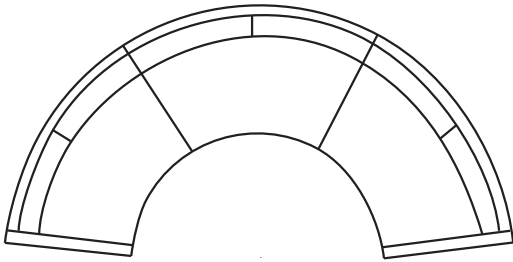
144 x 84

Sectionals without Arms



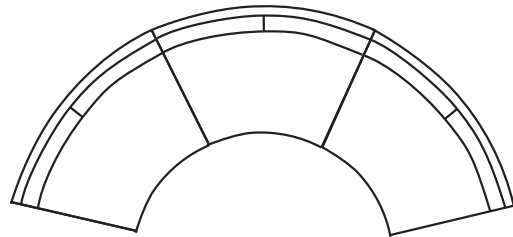
144 x 84

LAF & RAF 1-Arm 84" Units • One Armless 80" Unit



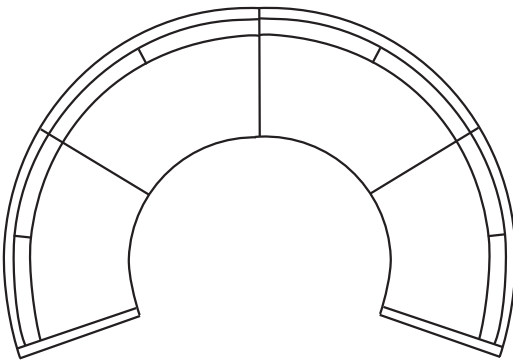
168 x 84

Three Armless 80" Units



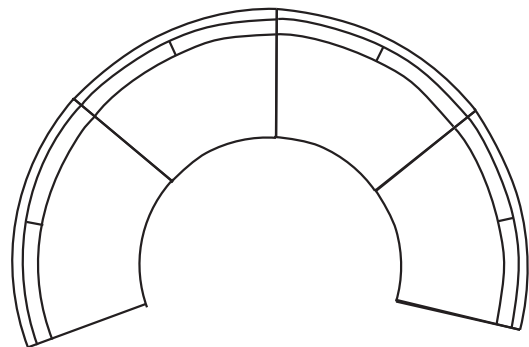
168 x 84

LAF & RAF 1-Arm 84" Units • Two Armless 80" Units



168 x 120

Four Armless 80" Units



168 x 120

Overall dimensions for curved sectionals are estimates based on per unit sizes
Carmel includes blade style oak or maple legs • Available slipcovered
• Call for Pricing and Yardage Estimates •